



Dexter Consolidated Schools

PO Box 159

Dexter, New Mexico 88230

575-734-5420 (fax) 575-734-6813

RFP for E-Rate 2012-2013

Terms of RFP

Bidding opens: December 16, 2011

Bidding will close: January 13, 2012

Patricia Parsons
Superintendent

Eddie J. Ward
High School Principal
575-734-5420 x322

Lesla Dodd
Middle School Principal
575-734-5420 x351

Susan Alvis
Elementary School
Principal
575-734-5420 x412

Diane Sandoval
Special Education
Director
575-734-5420 x337

Mary Leininger
K-12 Programs and
Technology Director
575-734-5420 x363

Board of Education

Donna Sterrett
President

Troy Thompson
Vice President

Orlando R. Chavez
Secretary

Dan Lathrop
Member

Susan Garnett
Member

Contractor is responsible for all measurements of CAT5e/6/fiber, proper sizing, and configuration of equipment including testing and certification.

Contractor is responsible for providing in their proposal any products or services deemed necessary for the proper configuration of proposed products or services to the existing network and/or other incidental products that are required and deemed e-rate eligible. Contractor should provide to the district all costs of eligible and ineligible equipment on separate listings.

The award shall be made to the responsible offerer whose proposal answers and covers all requested products and services per RFP.

When your proposal is examined and evaluated we will select the most cost-effective bid. This means that the price will be the primary factor, but does not have to be the sole factor according to the scale below.

Weighting Scale	
Price of Eligible Goods and Services	30%
Experience with Dexter Consolidated Schools	25%
Maintenance timeliness and availability	15%
Peer knowledge and experience with service provider	10%
Compatibility with existing network	5%
Local Maintenance presence	5%
Pre Bid On Site Visit	5%
Installations by a Certified Engineer	5%
Total Weight	100%

Dexter Schools reserves the right to accept or reject any or all proposals or any portion of a proposal.

Upon funding of the project by USAC, Dexter Schools reserves the right to reject any portion of a funded project by completing an SLD Form 500.

If you have never worked with Dexter School District, we are requesting that you provide at least three references from other school districts with which you have worked on an e-rate project in the recent past.

Associated pages contain all four e-rate categories of service:

Page 2 – Priority 1—Telecom and Internet Access

Page 3 – Priority 2 – Internal Connections

Page 4 – Priority 2 – PBX

Page 5 – Priority 2 – Basic Maintenance

Page 6-11 – Basic Maintenance Equipment List

All relevant questions will be shared in the Question and Answer section of the district website/departments/Information Technologies—www.dexterdemons.org



Dexter Consolidated Schools

Technology Department
 100 N. Lincoln
 PO Box 159
 Dexter, NM 88230

Request for E-Rate Proposal 2012-2013

To:		Contact Person: Mary Leininger Phone: 575-734-5420 x363 Fax: 575-734-6318 Email: leiningerm@dexterdemons.org
Category	Item	Description
Internal Connections	Data Distribution	Replace existing end of life Cisco 2950 & 3550 switches with Power-over-Ethernet Switches at 17 wiring closets Installation and configuration including training
	Data Protection	Replace APC 750 and 3000 UPS with comparable/compatible units at 17 wiring closets and server room
	Servers	1 Web, 1 Terminal, 1 Email, 1 DHCP and 4 DNS Servers to support 4 subnets with optimum energy savings and heat reduction
Internal Connections	Client Access License (CAL)	Expected need 1500 CALs for all new servers Expected need of 250 CALs for Exchange Server 2010
	Video Components	Video distribution to all classrooms (IPR and Upgrades)
Internal Connections	Data Protection	Firewall appliance
Internal Connections	Cabling upgrade	Additional drops in classrooms, 4 locations, approximately 200 additional drops
Prospective Service Providers must be able to bid on and provide all goods and services listed above.		
If bids do not include all items listed they will be rejected as incomplete.		
Provide separate costing of eligible and ineligible equipment		
Contractor is responsible for all measurements of CAT5e/6/fiber and proper sizing and configuration of equipment. Contractor is responsible for providing in their proposal any products or services deemed necessary for the proper configuration of proposed products or services and/or other incidental products that are required and deemed e-rate eligible services.		

Dexter Consolidated Schools (DCS) reserves the right to negotiate with any or all offerers who submit proposals determined to be acceptable or potentially acceptable. Negotiations may be held to: 1) promote understanding of the DCS requirements and offers proposal; 2) facilitate arriving at a contract that will be most advantageous to DCS. Offerers submitting proposals may be afforded an opportunity for discussion and revision of proposals. The Contents of any proposal shall not be disclosed so as to be available to competing offerers.

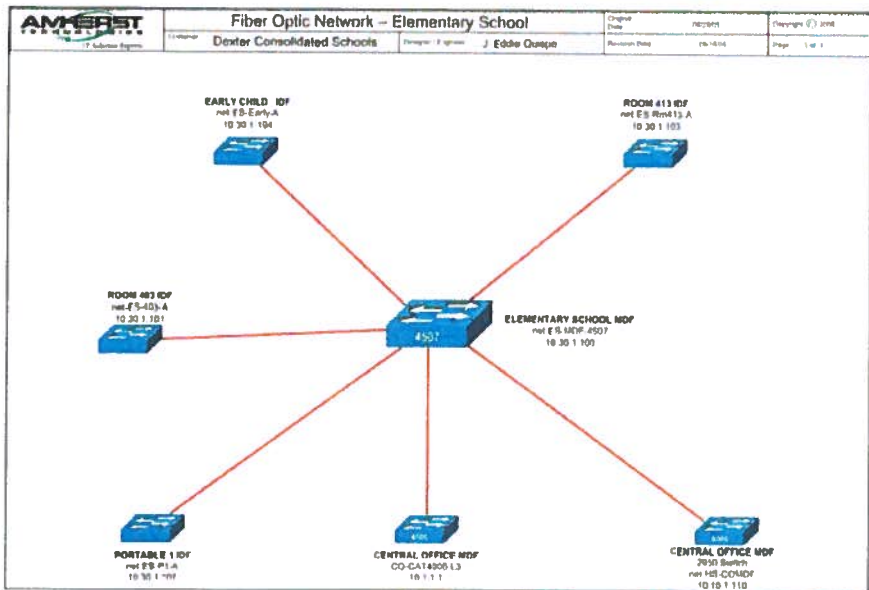
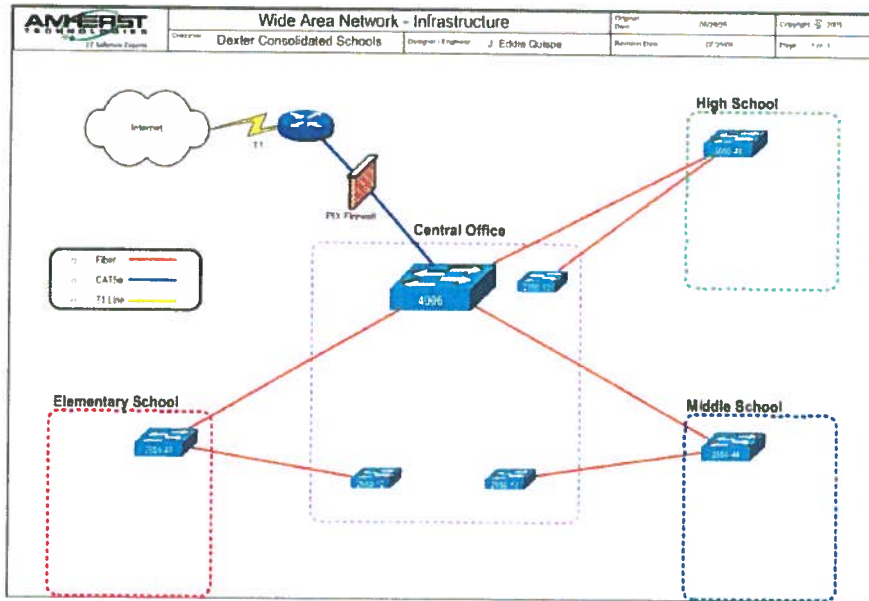
The award shall be made to the responsible offerer or offerers whose proposal is most advantageous to the DCS, taking into consideration the following evaluation criteria: When your proposal is examined and evaluated we will select the most cost-effective bid. This means that the price should be the primary factor, but does not have to be the sole factor, in evaluating the bids. Other relevant factors may include: prior experience, including past performance; personnel qualifications, including technical excellence; management capability, including schedule compliance; environmental objectives; capability to provide all requested services and equipment.

Dexter Basic Maintenance Equipment List
 Approximate listing

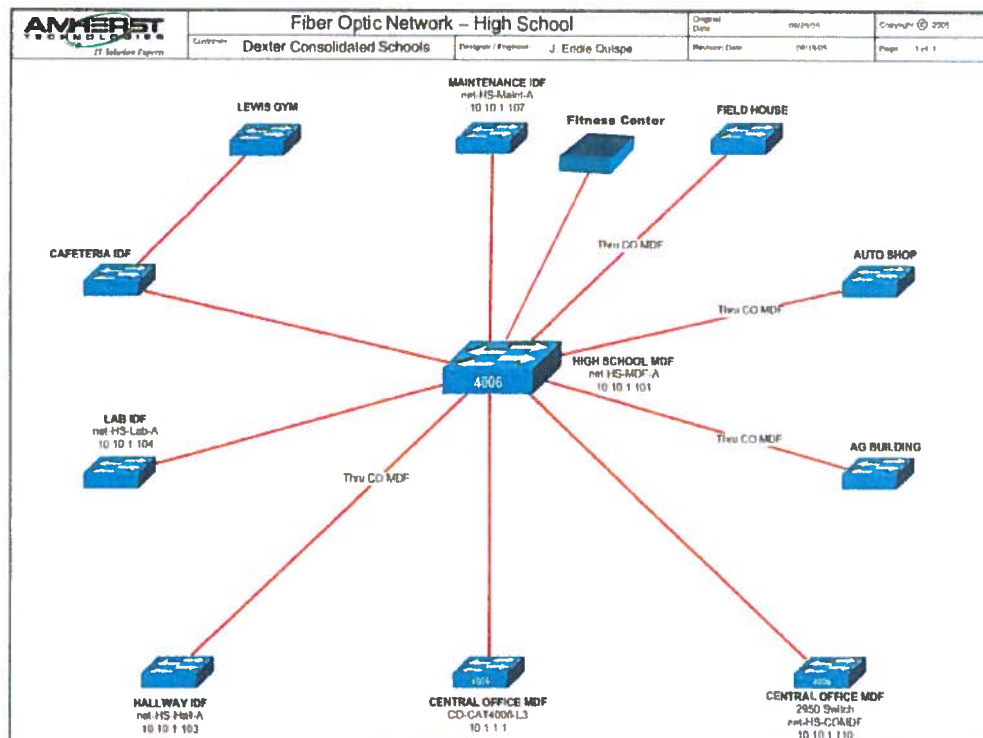
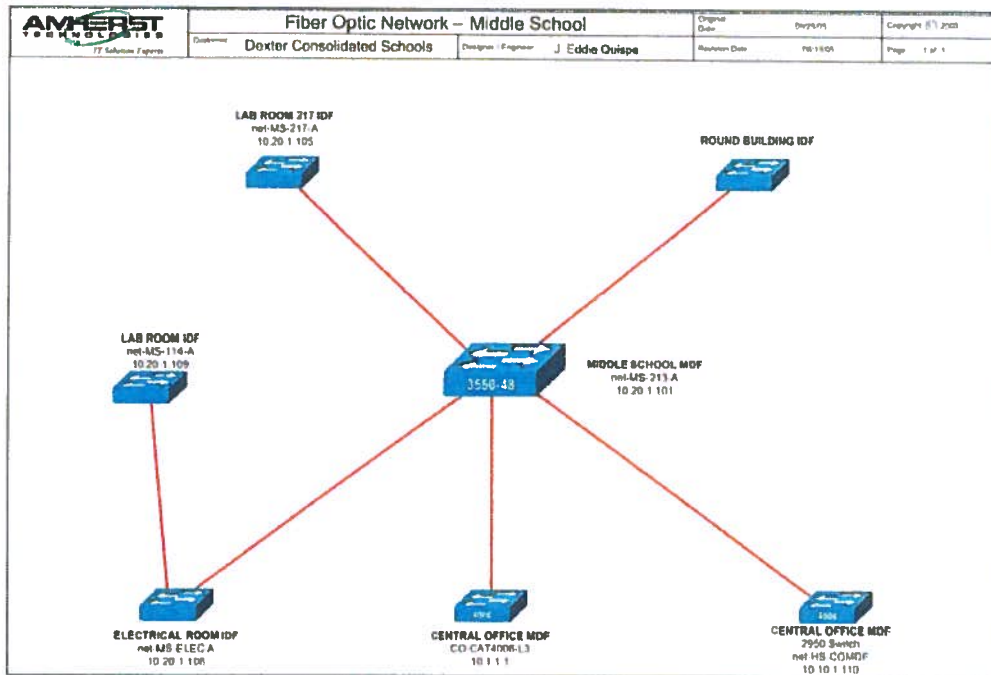
ES/MS/HS			
Cisco	Catalyst 4506	6 Slot Chas Fan No P/S w/SmartNet	MS
Cisco	Catalyst 4506	6 Slot Chas Fan No P/S w/SmartNet	HS
Cicco	Catalyst 4500	7 Slot Chas Fan No P/S w/SmartNet	ES
Rack #1			
Cisco	Catalyst 4500	Sup IV Engine, WS-X4515	Server Rm
Cisco	Catalyst4506	10U Rack Mount MODEL WS-4506	Server Rm
Cisco	3845 Router		Server Rm
Cisco	MCU	Video Conf 3500 Series	Server Rm
Cisco	Wireless Lan Controler		Server Rm
Cisco	PIX Firewall	515 E	Server Rm
Rack #2			
HP	Server	Proliant DL 100G2	Server Rm
Dell	Server	PowerEdge 2850	Server Rm
IBM	Server	xSeries 346 (Terminal)	e-rate Server Rm
IBM	Server	xSeries 346 (Email)	e-rate Server Rm
IBM	Server	xSeries 346 (DNS)	e-rate Server Rm
IBM	Tape Backup	Total Storage	Server Rm
Viper	Tape Backup		Server Rm
IBM	Server	xSeries 345 (Apps)	Server Rm
IBM	Server	xSeries 345 (Web)	Server Rm
IBM	Server	xSeries 345 (Deborah)	Server Rm
IBM	Server	xSeries 345 (ES-File)	Server Rm
IBM	Server	xSeries 345 (MS-File)	Server Rm
IBM	Server	xSeries 345 (HS-File)	Server Rm
Rack #3			
Dell	Server	Power Edge 1950 (Lightspeed)	Server Rm
Dell	Server	Power Edge 1950 (Vbrick-Dex-Portal1)	Server Rm
Dell	Server	Power Edge 1950 (Vbrick-DexVOD-WM1)	Server Rm

Catalyst 3550 48 Port	Cisco	WS-C3550-48-SMI
Catalyst 3550 48 Port	Cisco	WS-C3550-48-SMI
Catalyst 3550 48 Port	Cisco	WS-C3550-48-SMI
Catalyst 3550 48 Port	Cisco	WS-C3550-48-SMI
Catalyst 3550 Series 48-port Switch	Cisco	WS-C3550-48-SMI
Catalyst 3560G Series 48-port Switch	Cisco	WS-C3560G-48TS-S
Catalyst 3650 24 Port POE	Cisco	WS-C3560G-24PS-S
Catalyst 3650 24 Port POE	Cisco	WS-C3560G-24PS-S
Catalyst 3650 24 Port POE	Cisco	WS-C3560G-24PS-S
Catalyst 3650 24 Port POE	Cisco	WS-C3560G-24PS-S
Catalyst 3650 24 Port POE	Cisco	WS-C3560G-24PS-S
Catalyst 3650 24 Port POE	Cisco	ES-C3560G-24PS-S
Catalyst 3650 24 Port POE	Cisco	WS-C3560G-24PS-S
Catalyst 3650 24 Port POE	Cisco	3560G-24PS
Catalyst 3650 24 Port POE	Cisco	3560G-24PS
Catalyst 3650 24 Port POE	Cisco	WS-C3560G-24PS-S
Catalyst 3650 24 Port POE	Cisco	WS-C3560G-24PS-S
Catalyst 3650 24 Port POE	Cisco	WS-3560G-24PS-S

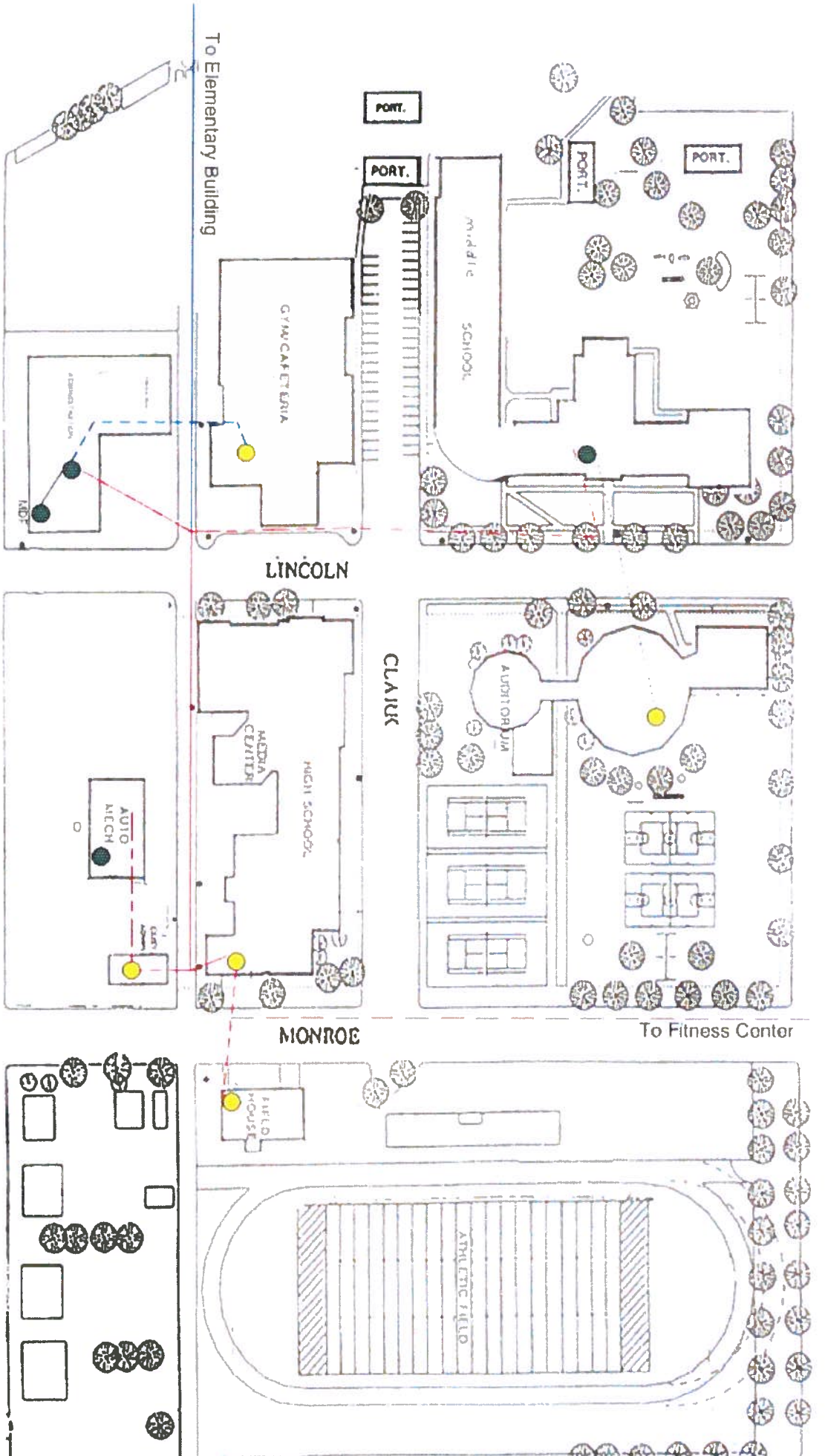
District Network Schematics



Dexter Consolidated School District – Technology Plan 2010 - 2013



Dexter Consolidated Schools



- MDF
- IDF
- High School Fiber run to MDF
- Auto Technology Fiber runs to Field house, Portables and MDF
- - - Middle School Fiber run to MDF
- · · Gym/Cafeteria Fiber run to MDF
- · · Fiber run from Lower Mid. School to Middle School
- · - Elementary School Fiber Run
- - - Fiber run to Fitness Center (Underground)